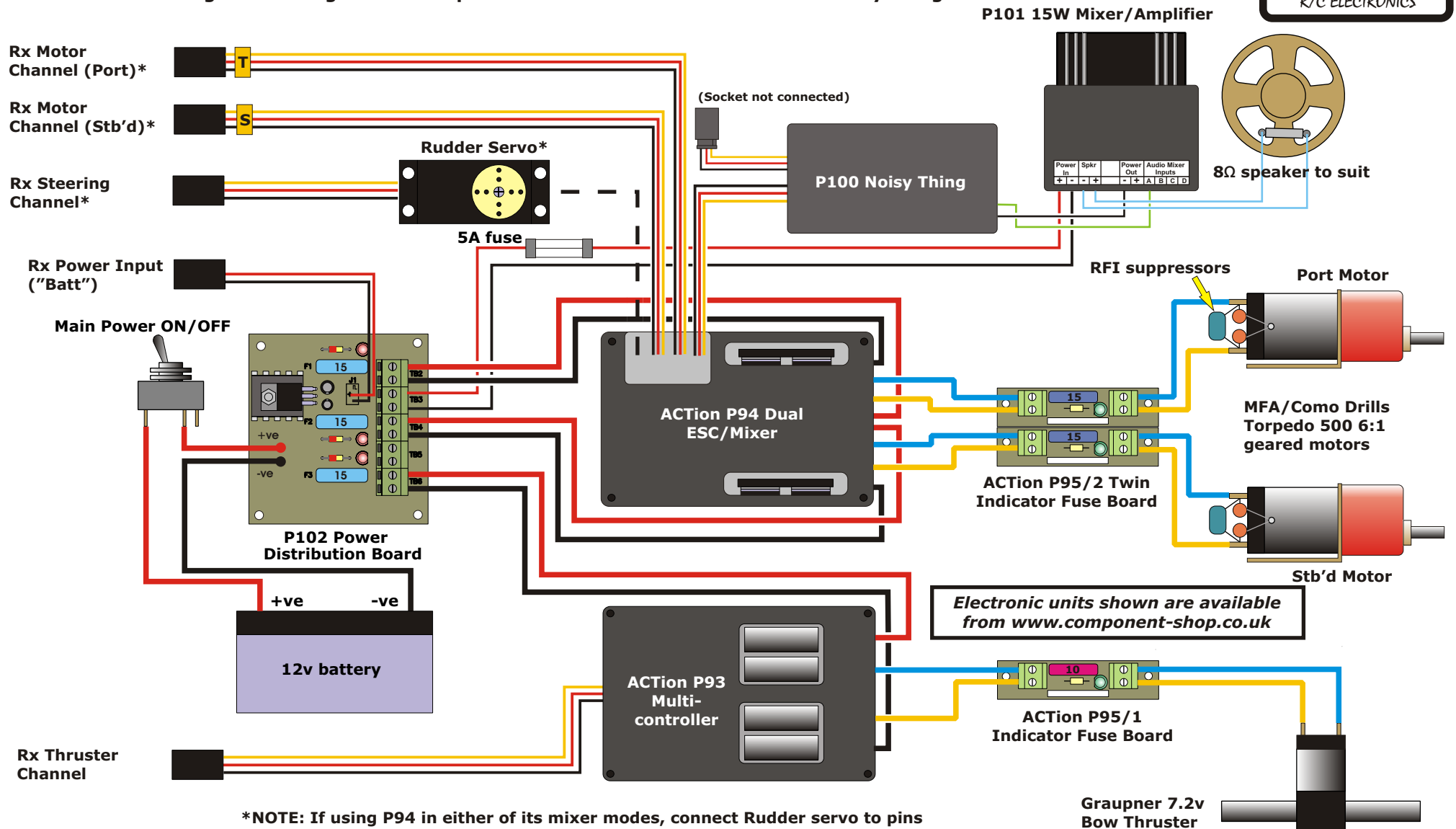


# SUGGESTED INSTALLATION OF ACTION UNITS IN MODEL SLIPWAY "DUTCH COURAGE" FOR MR TERRY SMALL

This is the iconic wiring diagram featured in "Model Boats" magazine to accompany Terry's excellent review of Model Slipway's kit. Terry originally requested a "Tank Steering" set-up, but as P94 will do both we let him try one. The rest, as they say, is history! The SFX5 Sound Unit shown on the original drawing has been replaced on this one with our new P100 Noisy Thing



Electronic units shown are available from [www.component-shop.co.uk](http://www.component-shop.co.uk)

\*NOTE: If using P94 in either of its mixer modes, connect Rudder servo to pins H1 (shown dotted); lead "T" to Rx Motor Channel and lead "S" to Rx Steering channel. Set-up shown is Mode 1 "Tank Steering" i.e. Split throttles.