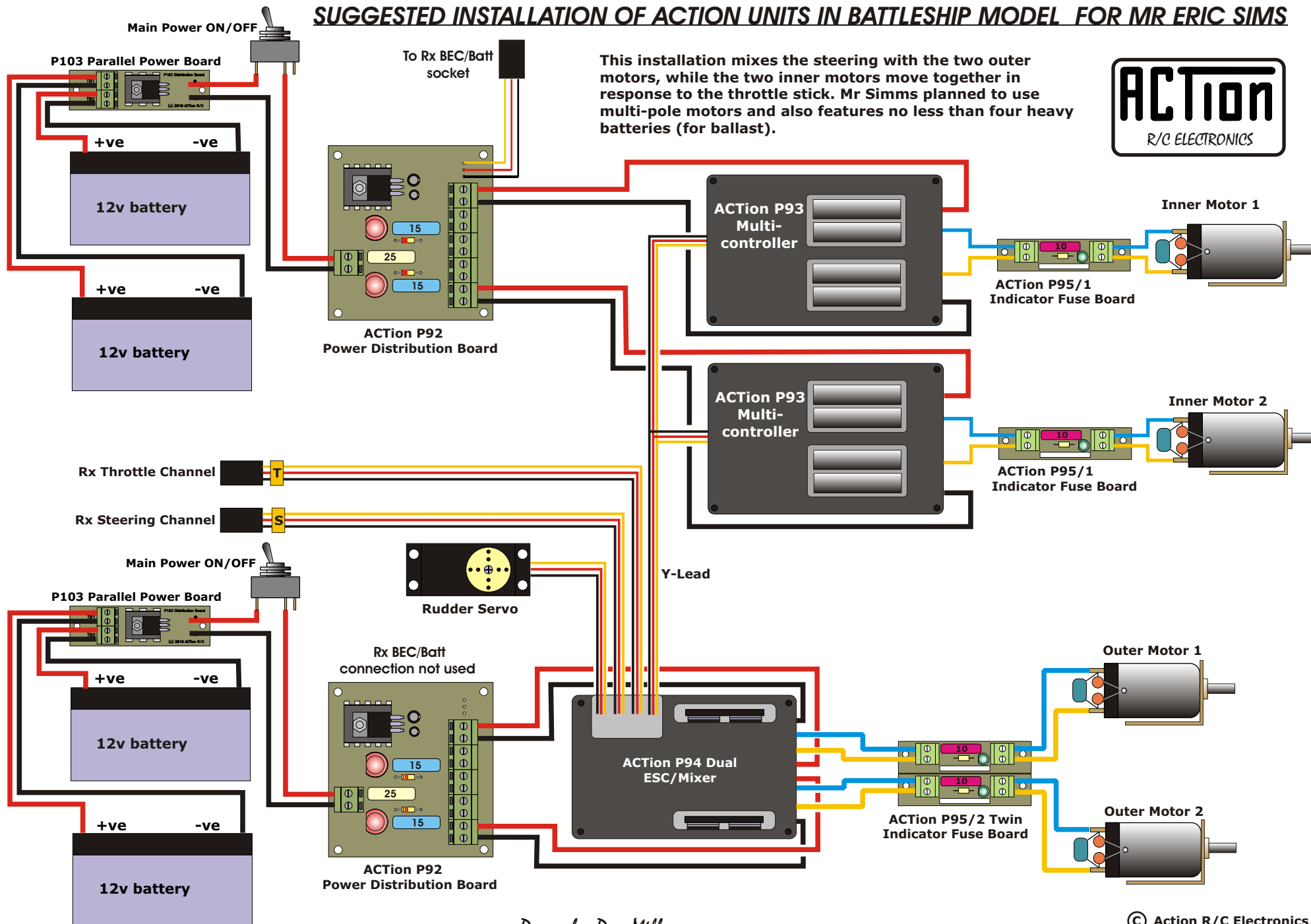


SUGGESTED INSTALLATION OF ACTION UNITS IN BATTLESHIP MODEL FOR MR ERIC SIMS



This installation mixes the steering with the two outer motors, while the two inner motors move together in response to the throttle stick. Mr Simms planned to use multi-pole motors and also features no less than four heavy batteries (for ballast).



Drawn by Dave Milbourn